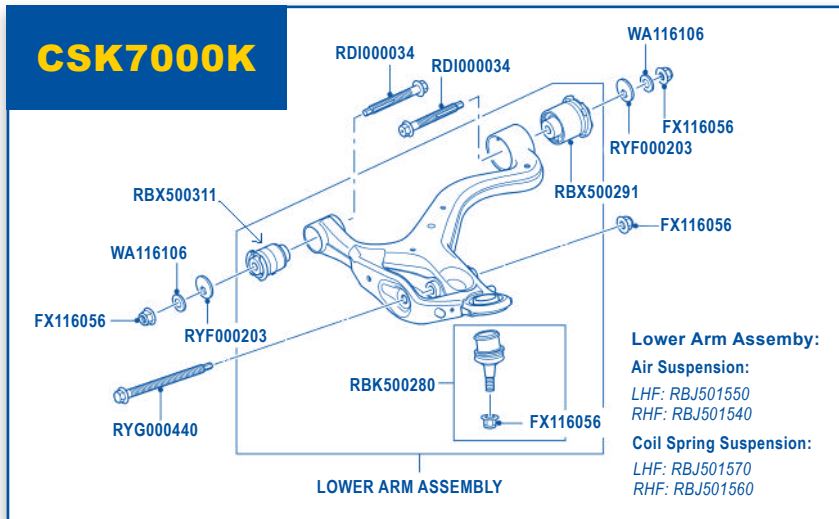




# COMMON FAULTS

FITTING KIT CSK7000K FOR THE LAND ROVER DISCOVERY III, IV, RANGE ROVER SPORT



- CSK7000K KIT CONTAINS:**
- 2 x RD1000034 Camber Bolt
  - 2 x RYF000203 Camber Washer
  - 2 x WA116106 Washer
  - 4 x FX116056 Nut
  - 1 x RYG000440 Strut Mounting Bolt
  - 1 x RFD500020 Drive Shaft Nut



COMLINE'S FITTING KIT **CSK7000K** ALLOWS FOR EASIER REPLACEMENT OF LOWER LAND ROVER SUSPENSION ARMS.

## Introducing CSK7000K lower suspension arm fitting kit for Discovery III, IV and Range Rover Sport 2005-12.

A common fault on these vehicles is the lower wish-bone bush bolts often become corroded, making them difficult to remove. This makes lower wishbones (**CCA1263L**, **CCA2263R**, **CCA1405L** & **CCA2405R**) difficult to replace. The bolts are usually destroyed when removed.

Comline have created **CSK7000K** to solve this problem as our kit has all the necessary ancillary parts to provide a new fitting kit with the new Wishbones.



Part Number	Description	Make	Model	Year	Fitting Position
CSK7000K	Lower Wishbone Fitting Kit	Land Rover	Discovery III, IV Range Rover Sport	2004->	Front Axle Lower LH and RH
CCA1263L	Lower Wishbone LH	Land Rover	Discovery III, IV	2004->	Front Axle Lower LH
CCA2263R	Lower Wishbone RH	Land Rover	Discovery III, IV	2004->	Front Axle Lower RH
CCA1405L	Lower Wishbone LH	Land Rover	Range Rover Sport	2005->13	Front Axle Lower LH
CCA2405R	Lower Wishbone RH	Land Rover	Range Rover Sport	2005->13	Front Axle Lower RH